



Range DN: 15 ~ 200



PED 97/23/EC
PED 2014/68/EU



TR TS 10/11,
32/11



Range PN: 2,5 ~ 16

Operating temperature: - 35 °C ~ + 170 °C (depending on the diaphragm material)

Connection into piping: Flanged, welded ends, combined execution



DESCRIPTION

The SDV type valves are controlled, shut-off or regulating valves. They are designed to stop, regulate or allow the flow of the medium by external operation, either manually or via the installed drive. The medium can flow in two direction. They are designed and manufactured to ensure maximum service life and reliability.

MATERIAL SPECIFICATION

SDV diaphragm valves are made from carbon, alloy and stainless steels. The material type can be adjusted according to the customer's request to optimally suit the operating conditions.

APPLICATION

SDV type valves are suitable for various inert and corrosive liquid and gaseous media – insensitive to particulate media.

BASIC STANDARDS FOR DESIGN

Basic design

EN 12 516 - 1

Pressure-temperature rating

EN 12 516 - 1

Testing

EN 12 266 - 1, 2

Face-to-face dimensions

EN 558

Dimensions of the welded ends

EN 12 627

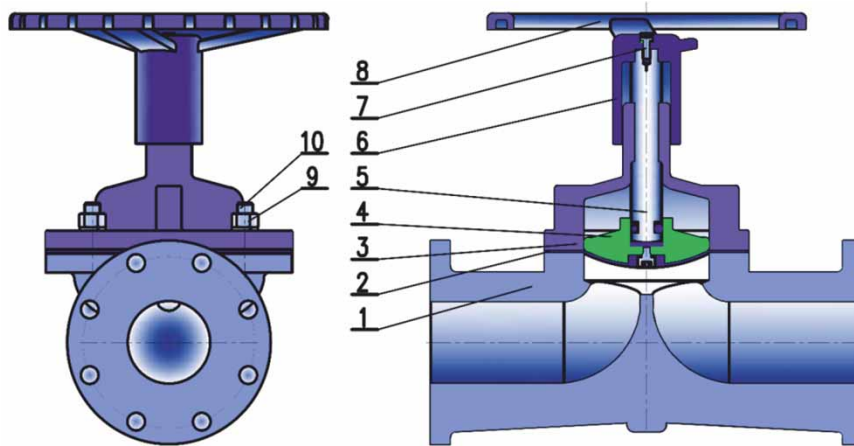
Top Flange dimensions

EN ISO 5210

Flange dimensions

EN 1092 - 1

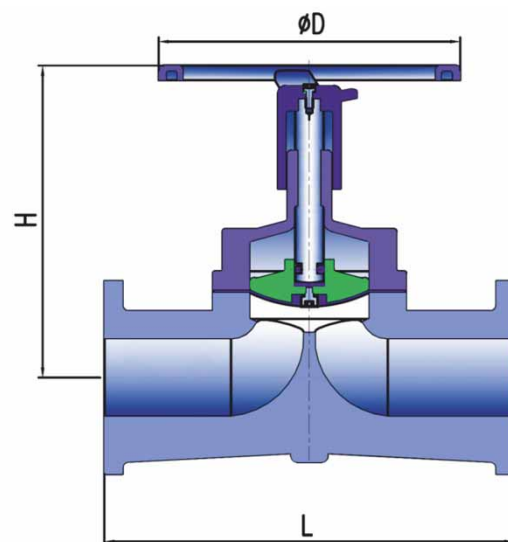
MATERIAL SPECIFICATION



ITEM	NAME	MATERIAL
1	BODY	1.0619 (GP240GH), 1.4408(GX5CrNiMo19-11-2)
2	DIAPHRAGM ASSEMBLY*	PTFE/EPDM
3	BONNET	1.0619 (GP240GH), 1.4408(GX5CrNiMo19-11-2)
4	BAYONET LOCK	1.4408(GX5CrNiMo19-11-2)
5	STEM	1.4305 (X2CrNi19-11)
6	CLAMP	1.0619 (GP240GH), 1.4408(GX5CrNiMo19-11-2)
7	BOLT	1.4310 (X10CrNi18-8)
8	HANDWHEEL	1.0619 (GP240GH)
9	NUT	1.4310 (GX5CrNi19-10)
10	BOLT	1.4310 (GX5CrNi19-10)

DIMENSIONS

DN	Max. bar	L	H	ØD	Mass (kg)
15	16	130	115	85	2,5
20	16	150	117	85	3
25	6	160	124	85	3,8
32	16	180	134	85	5,2
40	16	200	137	120	7,4
50	16	230	186	120	9,7
65	10	290	208	180	13,5
80	8	310	233	180	18
100	7	350	282	250	30
125	7	400	345	250	43
150	7	480	412	400	66
200	5	600	442	400	122



TYPE DESIGNATION

SDV C/D E M1/M2 PN/S

C CONNECTION INTO PIPE

- 1 Flanged

M₁ BODY MATERIAL

- 0 Stainless steel
- 2 Cast alloy steel
- 5 Cast carbon steel
- LT Carbon steel for low temperatures

S SPECIAL EXECUTION

- As Antistatic

D FLANGE FACING

EN 1092 - 1

- A Flat face
- B Raised face
- C Tongue face
- D Groove face
- E Spigot
- F Recess
- G O - ring recess
- H O - ring groove

E CONTROL

- 1 Lever, handwheel
- 5 Pneumatic actuator
- 9 Without control

M₂ DIAPHRAGM MATERIAL

- E EPDM
- N NBR
- HN HNBR
- P CR
- S WMQ
- T PTFE
- V VITON

